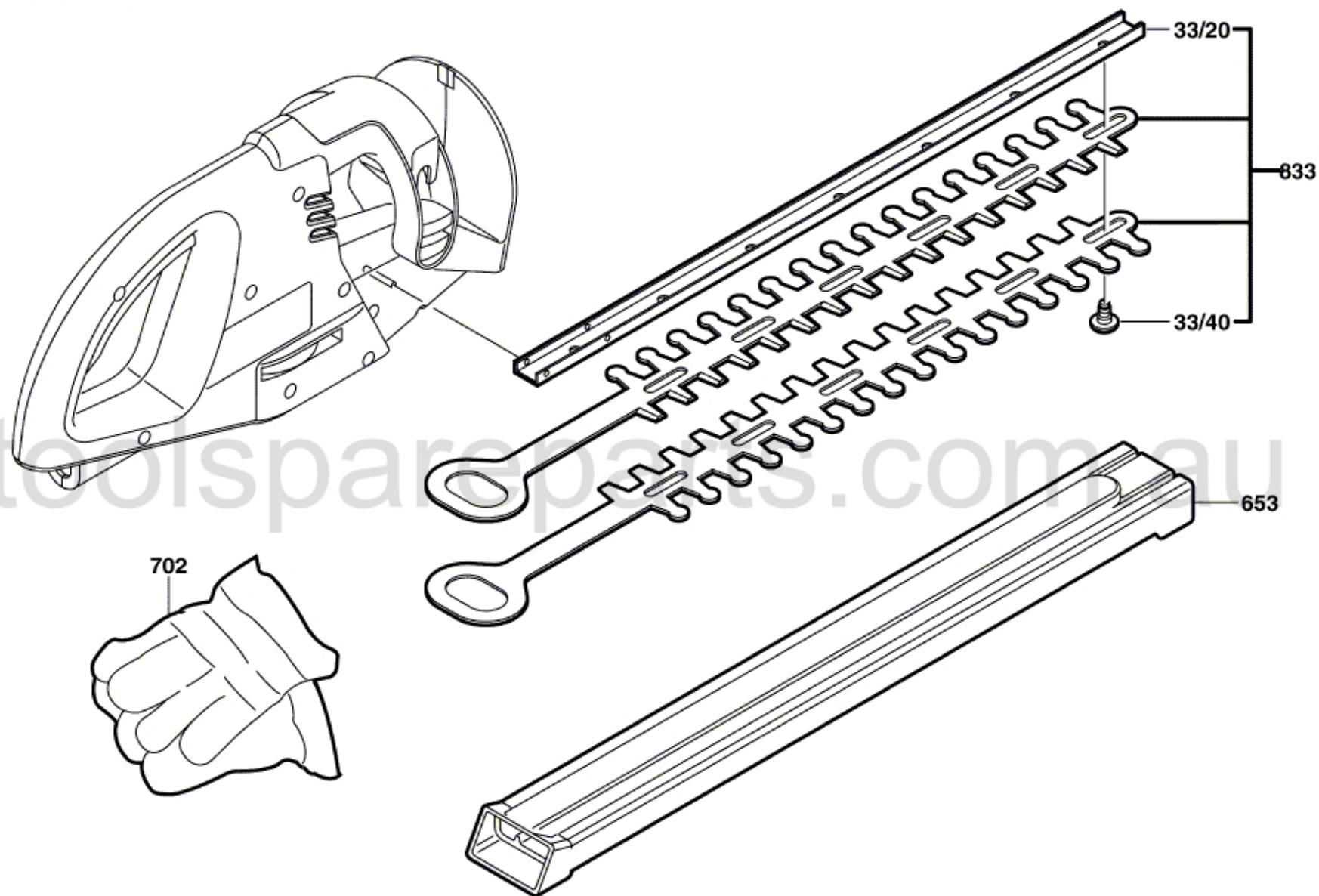


0 600 842 503

Stand | ~~99-10~~  
Issue | 00-03-22

**Fig./Abb. 2**



Änderungen vorbehalten  
Modifications reserved  
Modifications reserves  
Salvo modificaciones